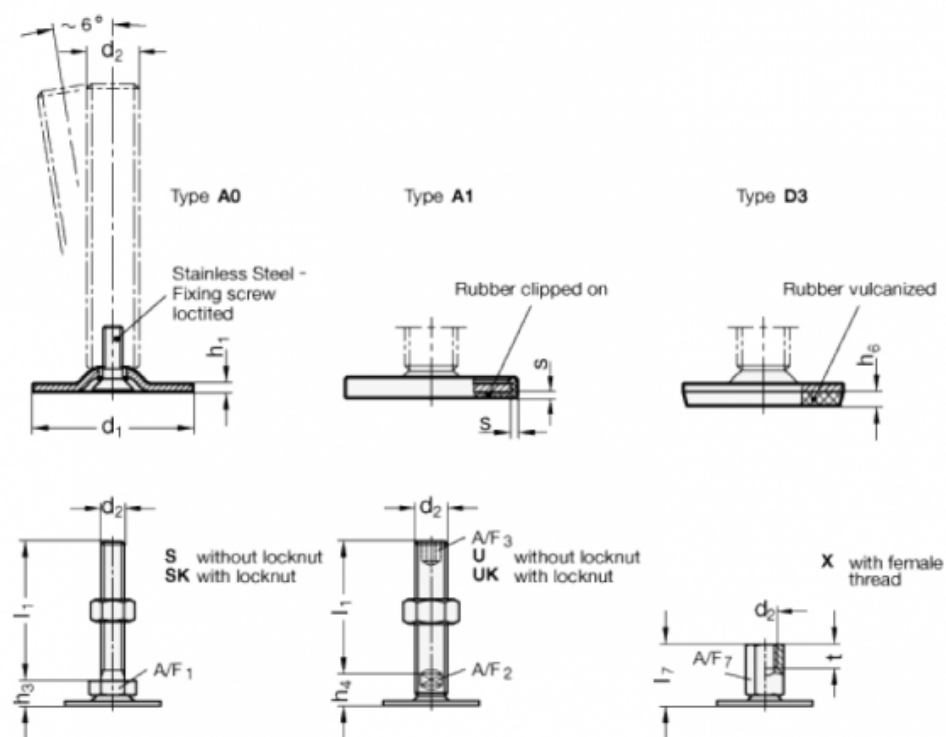


Article number: 204060M12125A3SK

Description: E+G levelling foot
GN 40-60-M12-125-A3-SK

Note: SK With nut, External hexagon at the bottom

Measures



A/F1	= 17
d1	= 60
d2	= M12
h1	= 2.5
h3	= 11
h6	= 4.5
l1	= 125
s	=